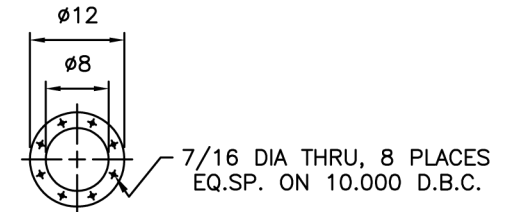
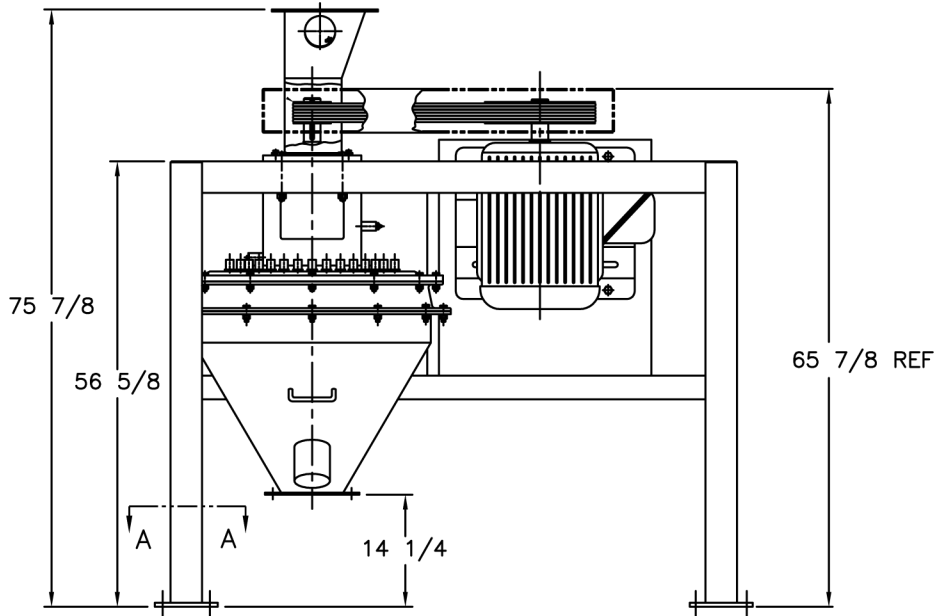
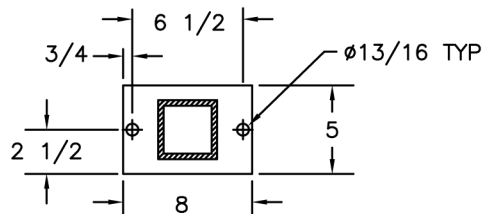


DETAIL 1  
FEED INLET FLANGE



DETAIL 2  
PRODUCT DISCHARGE FLANGE



SECTION A-A

"The subject matter disclosed herein embodies proprietary information which is the confidential property of STURTEVANT, INC., none of which shall be copied, reproduced, disclosed to others, published or used in whole or in part, for any purpose other than that for which it is being made available without the express advance written permission of a duly authorized agent of the company. This document is the property of STURTEVANT, INC. and is to be returned to the company upon demand."

